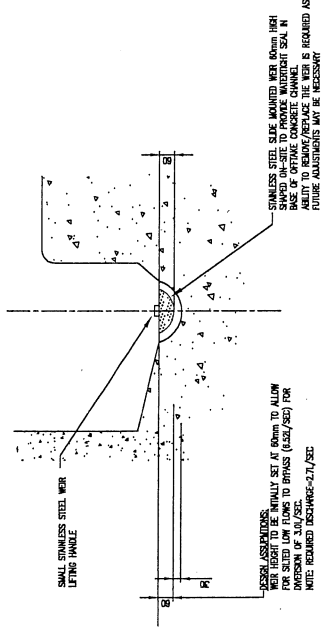


DEVELOPER CONTRACT PLAN

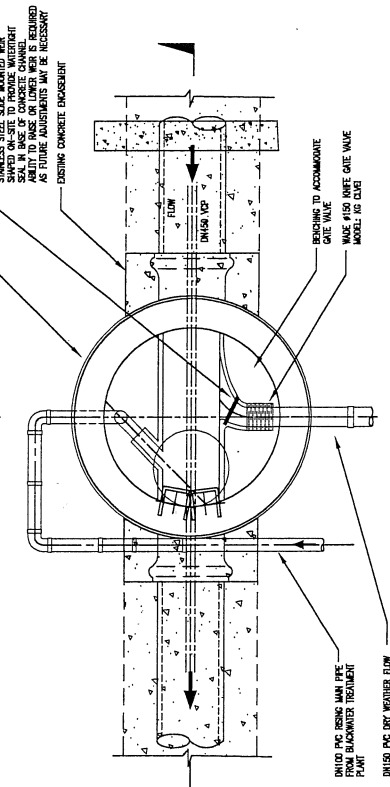
NOTES:-

1. ALL DIMENSIONS IN MILLIMETERS.
2. LOCATE EXISTING M/S 64/2 AND 64/2 AS SHOWN IN DESIGN DRAWINGS.
3. NEW CONCRETE WORKS SHALL BE IN ACCORDANCE WITH AS1373 - EXPOSURE CLASSIFICATION D
4. METHOD OF BACKFILL AND COMPACTING OVER M/S TO BE GENERALLY AS FOR EXISTING WORKS UNLESS OTHERWISE SPECIFIED IN THE PERFORMANCE FILE FOR EXISTING TO AVOID UNWARRANTED LATERAL LOADS.
5. APPROPRIATE FLOW MANAGEMENT AND ASSET SOLUTION PROCEDURES ARE TO BE HYDRAULIC KEYS.

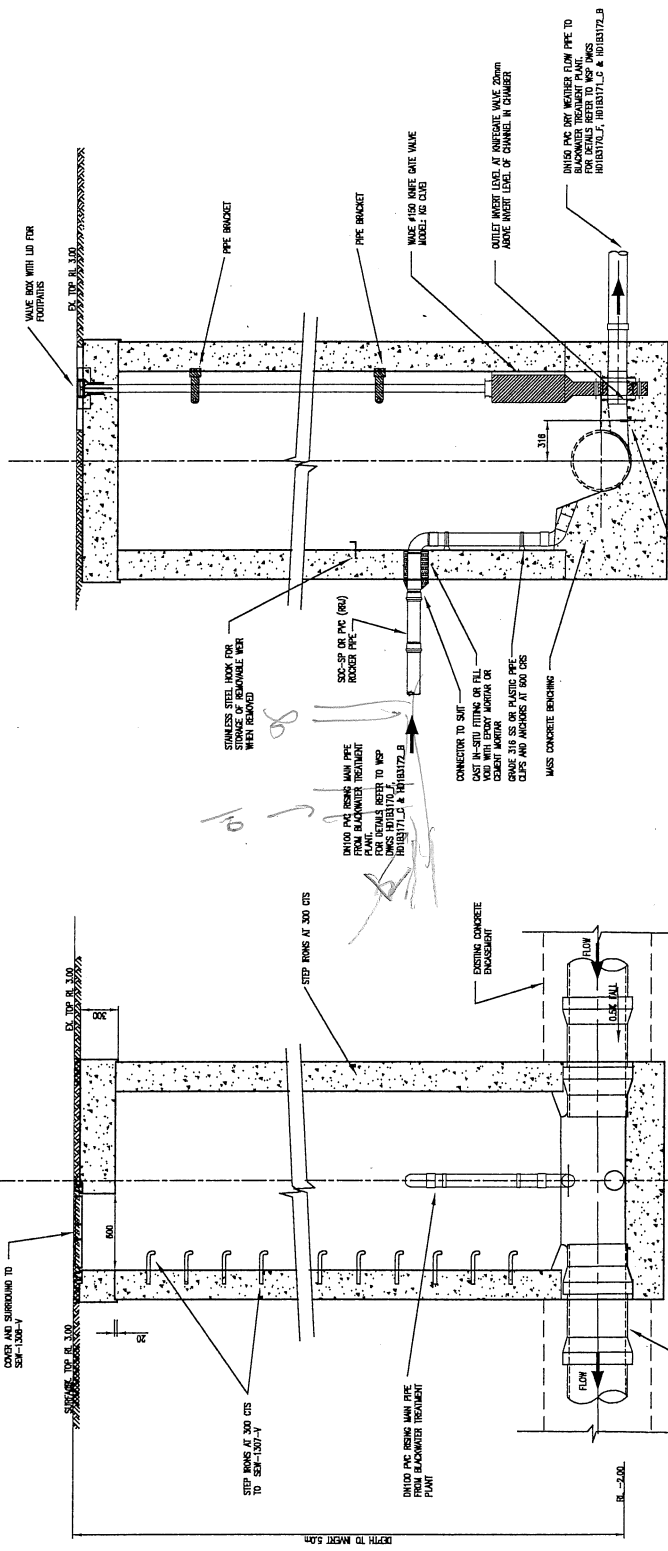
Dec 2008



DETAIL 'Y'
STAINLESS STEEL WEIR
(SECTION LOOKING DOWNSTREAM)
Scale 1:10



SEWER MINING OFFTAKE MAINTENANCE STRUCTURE PLAN
Scale 1:20



SECTIONAL ELEVATION A
Scale 1:20

SECTIONAL ELEVATION B
Scale 1:20

WORK AS CONSTRUCTED CERTIFICATION	
DEVELOPER	Sydney WATER
DESIGNER	WATER
COMPLETED	Case No. 117178WV
W.A.C. PROJECT NO.	SHIT 2 OF 2 SHITS.
DESIGNER	FOR DETAILS OF SERVICES SEE SHEET 1
APPROVED	